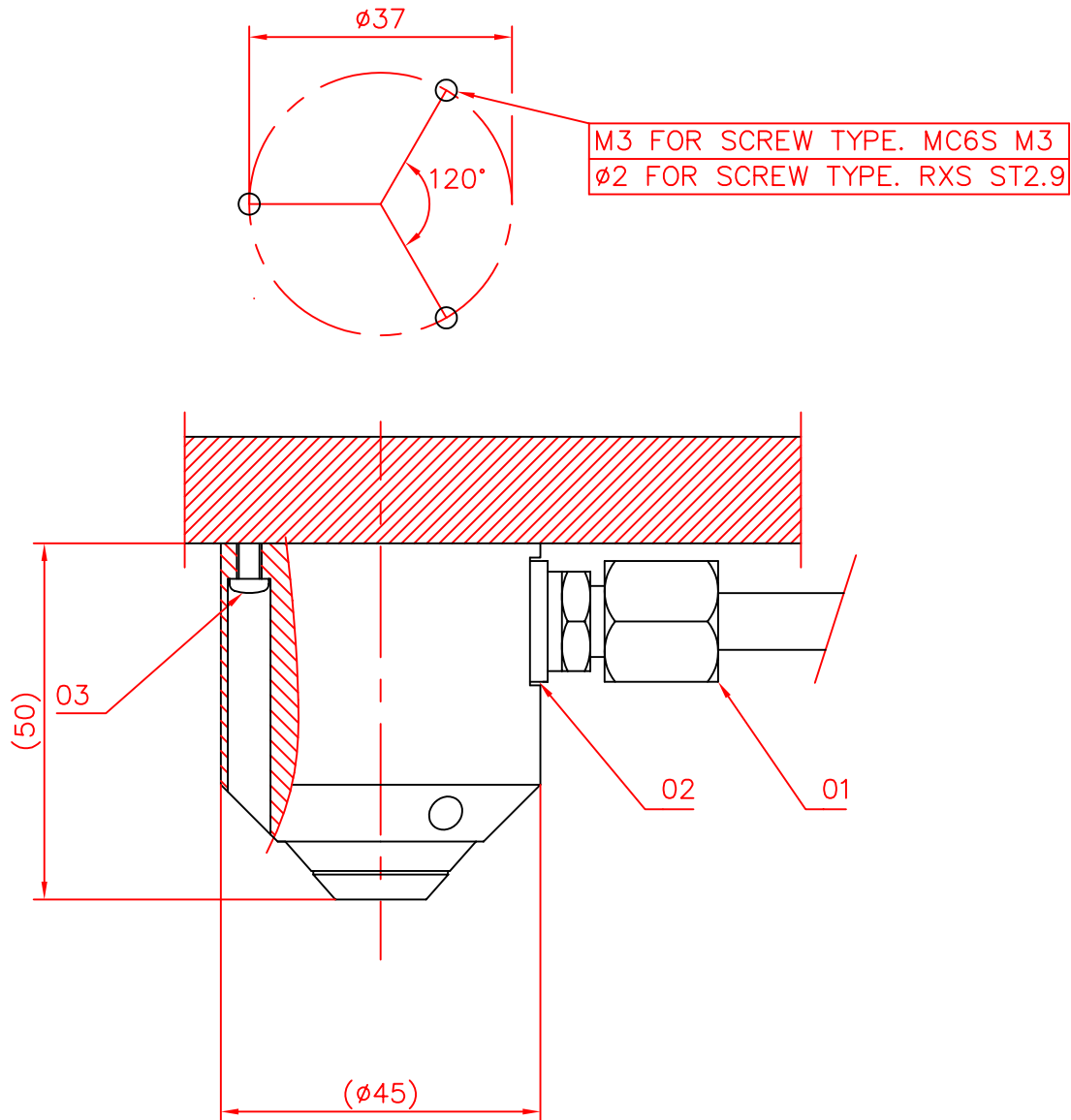


ISSUE	MODIF. ORDER NO.	WEEK	ISSUE	MODIF. ORDER NO.	WEEK	ISSUE	MODIF. ORDER NO.	WEEK
A	960129							



05	NOZZLE HEAD	1	931028-203
03	ALT 2: (WOOD) SCREW TYPE. RXS ALT 1: (STEEL) SCREW TYPE. MC6S	3	RXS ST2.9 L=20 MC6S M3 L=12
02	STEEL RUBBER WASHER G1/8	1	
01	MALE STUD FITTING G1/8 ,A4	1	GE X-PL/R 1/8
ITEM	NAME	PCS	MATERIAL

960130-005	ISSUED BY AK	WEEK 9537	PRODUCT CODE UF	MATERIAL -
			DOC. TYPE R	FILE YES
	ALL DIMENSIONS ARE IN MILLIMETRES. TOLERANCES, UNLESS OTHERWISE STATED: FOR MACHINING: ISO 2768 FOR CASTING: ISO 8062 FOR WELDING: SMS 723		FINISH, UNLESS OTHERWISE STATED:	
	TITLE INSTALL DWG ULTRA FOG JET OPEN NOZZLE		DWG NO. 960130-005	ISSUE A
ULTRA FOG		1 ST ANGLE 	SCALE 1:1	THE COPYRIGHT/OWNERSHIP OF THIS DOCUMENT IS AND WILL REMAIN OURS. THE DOCUMENT MUST NOT BE USED WITHOUT OUR AUTHORIZATION OR BROUGHT TO THE KNOWLEDGE OF A THIRD PARTY. CONTRAVENTION WILL BE PROSECUTED. ULTRA FOG.